

## Oil drain valves

### SPECIFICATION

#### Type

- Type **K**: with plastic protective cap and retaining cable

Valve body

- Steel **ST** zinc plated, blue passivated

- Brass **MS**

Valve plate

- Brass

- O-ring rubber FPM (Viton®)

Sealing disc DIN 7603 A

Copper

Protective cap

Plastic (Polyamide PA)

Retaining cable

Stainless Steel



### INFORMATION

Oil drain valves GN 880 may be used for draining non-pressurised oil. As well conditionally as for vacuum drainage.

The flow volume (l/min.) depends on the viscosity of the medium, the filling quantity and the temperature. Guidance values available on request.

Other features are:

- easy and safe handling
- optimum flow rate
- high pressure resistance (up to 100 bar)
- high temperature resistance (-30 °C to +120 °C, short period up to 180 °C)
- 100 % leak-tight tested

### TECHNICAL INFORMATION

- Elastomer characteristics (see page A32)

### ON REQUEST

- other materials

### OPERATION DESCRIPTION

After removing the protective cap secured against loss with a retaining cable, turn in the matching connector pieces GN 880.1 (see page 1690).

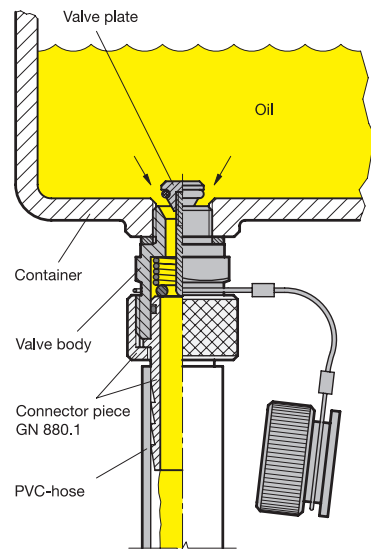
When the connector is screwed in, the valve plate will open and the oil will empty through the hose into a pan.

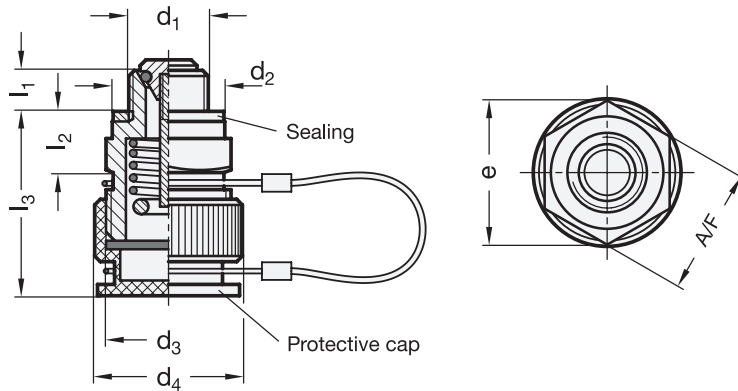
Take off the connector after the oil has drained. The valve plate will be lowered and closes off the drainage outlet.

The container with the oil drain valve is ready for filling again.

Other benefits of the oil drain valves GN 880:

- No risk of burns caused by hot oil
- No dirt caused by uncontrolled oil drainage
- Quick and easy





GN 880

Description	d1	d2	d3	d4	e ≈	l1	l2	l3	A/F	⚖
GN 880-M14x1,5-ST-K	M 14 x 1,5	20	M22x1,5	26	25,4	7,5	10,5	31	22	54
GN 880-M16x1,5-ST-K	M 16 x 1,5	22	M22x1,5	26	25,4	7,5	10,5	31	22	58
GN 880-M18x1,5-ST-K	M 18 x 1,5	24	M22x1,5	26	25,4	8,5	10,5	31	22	62
GN 880-M20x1,5-ST-K	M 20 x 1,5	26	M22x1,5	26	31,2	8,5	10,5	31	27	81
GN 880-M22x1,5-ST-K	M 22 x 1,5	27	M26x1,5	30	31,2	8,5	12	32	27	94
GN 880-M24x1,5-MS-K	M 24 x 1,5	29	M26x1,5	30	34,7	9	12	32	30	116
GN 880-M26x1,5-MS-K	M 26 x 1,5	32	M26x1,5	30	37	9	12	32	32	132
GN 880-M30x1,5-MS-K	M 30 x 1,5	36	M26x1,5	30	41,6	9	12	32	36	166
GN 880-G1/4-ST-K	G 1/4	20	M22x1,5	26	25,4	7,5	10,5	31	22	55
GN 880-G3/8-ST-K	G 3/8	23	M22x1,5	26	25,4	7,5	10,5	31	22	61
GN 880-G1/2-ST-K	G 1/2	26	M26x1,5	30	31,2	8,5	12	32	27	81
GN 880-G3/4-MS-K	G 3/4	32	M26x1,5	30	37	9	12	32	32	153
GN 880-G1-MS-K	G 1	39	M26x1,5	30	47,3	9	12	32	41	205

